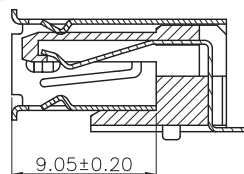
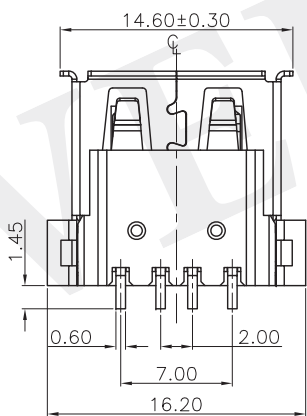
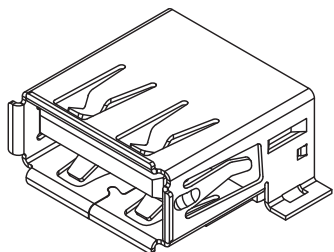
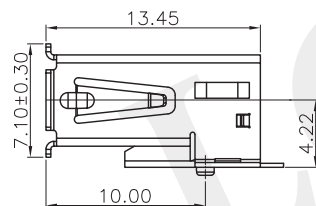
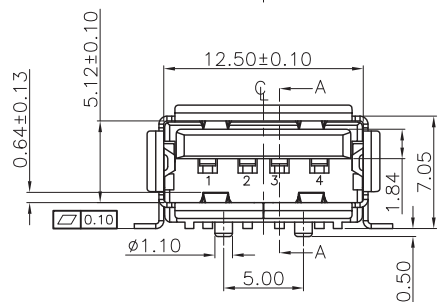


RECOMMENDED P.C.B LAYOUT (COMPONENT SIDE)



SECTION A-A

仅供参考

**SPECIFICATION**

**\*ELECTRICAL**

- 1.CONTACT RESISTANCE:30mΩ MAX
- 2.DIELECTRIC WITHSTANDING VOLTAGE:500V AC MAX
- 3.INSULATION RESISTANCE:1000MΩ MIN
- 4.CURRENT RATING:1.5A

**\*MECHANICAL**

- 1.INSERTION FORCE:3.5(KG) MAX
- 2.EXTRACTION FORCE:1.0(KG) MIN

**\*MATERIAL**

- 1.HOUSING:THERMOPLASTIC, GLASS FIBER FILLED  
UL 94V-0 RATED
- 2.CONTACT:COPPER ALLOY T=0.25
- 3.SHELL:SPCC T=0.30

**\*PLATING**

- 1.TERMINAL:GOLD PLATED ON CONTACT AREA TIN  
PLATED ON SOLDER AREA
- 2.SHELL:NICKEL 80U" MIN OR MATTE TIN 80U" MIN

**\*ENVIRONMENT**

- 1.LEAD FREE AND RoHS COMPLIANCE
- 2.HALOGEN FREE AVAILABLE

ORDER INFORMATION:

**UJA07S** <sub>1 2 3 4</sub> **0-72** <sub>5</sub>

1.HOUSING COLOR

- B=BLACK
- N=NATURAL

4.SHELL MATERIAL & PLATING

- 9=SPCC PLATING NICKEL
- 0=SPCC PLATING MATTE TIN

2.HOUSING MATERIAL

- 4=PA9T

5.PACKING

- T=TRAY
- R=TAPE & REEL

3.CONTACT PLATING

- 0=GOLD FLASH
- 4=GOLD 15U"
- 5=GOLD 30U"

3	CONTACT	Copper Alloy T=0.25	4	see table
2	HOUSING	PA9T, UL94V-0	1	Black
1	SHELL	SPCC T=0.30	1	see table
NO.	PART NAME	MATERIAL	QTY	FINISH

**TITLE:** USB A SMT CONNECTOR

**MODEL NO.** UJA07S

**WELL LONG ELECTRONIC COMPONENTS LTD.**

Tel: (852)23489203 / Fax: (852)23489335

E-mail: [sales@welllong.com.hk](mailto:sales@welllong.com.hk)



APPROVED:	WK POON	UNIT: MM	GENERAL TOLERANCE
CHECKED:	S. HUANG	SCALE: 1:1	X ±0.30
DRAWN:	YL YIP		.XX ±0.20
DATE:	2007/01/05		.XXX ±0.10
ITEM	REVISION	REV BY	DATE