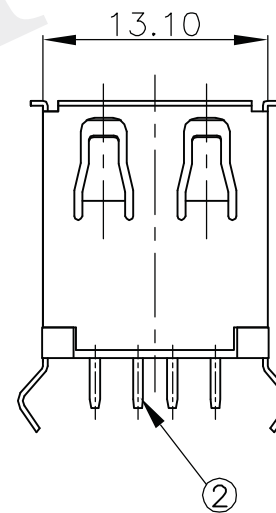
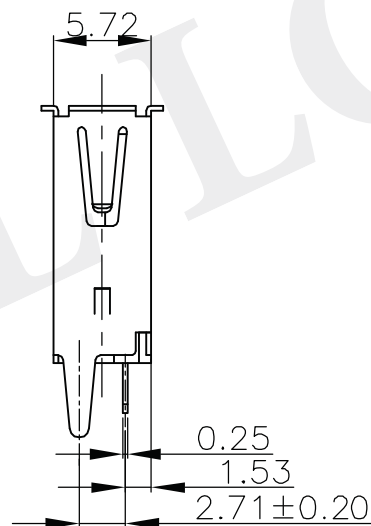
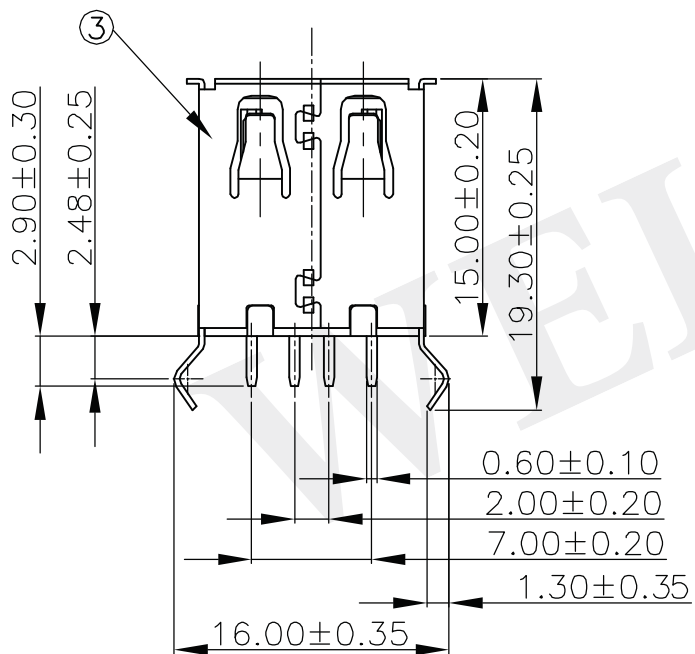


RECOMMENDED P.C.B HOLE LAYOUT
TOP VIEW(TOLERANCE:±0.10)

Specification

1. Rating : a. Rate Voltage: 30 V DC.
b. Rate Current: 1.5 A DC.
2. Insulation Resistance: 1000mΩ Min.
3. Contact Resistance: 20mΩ Max.
4. Dielectric Withstanding Voltage: 750V AC.
5. Temperature Range: -40°C to +105°C.
6. Mechanical Characteristics:
Insertion Force: 35 Newtons Maximum
Extraction Force: 10 Newtons minimum



3	SHELL	C2680	1	Ni PLATED
2	TERMINAL	C5191	4	G / F PLATED
1	HOUSING	PBT GF15% UL94V-0	1	BALCK
NO.	PART NAME	MATERIAL	QTY	FINISH

TITLE: WURTH – USB A TYPE DIP 180°

MODEL NO. UJA02DB002P-88T

WELL LONG ELECTRONIC COMPONENTS LTD.

Tel: (852)2348 9203 / (769)8398 3456

E-mail: sales@welllong.com.hk

				APPROVED: S. HUANG	UNIT: MM
				CHECKED: S. HUANG	SCALE: 1:1
				DRAWN: Angla	
ITEM	REVISION	REV BY	DATE	DATE: 2014/09/07	

GENERAL TOLERANCE	
X.	±0.50
.X	±0.30
.XX	±0.20
.XXX	±0.10
ANGLE	±2°