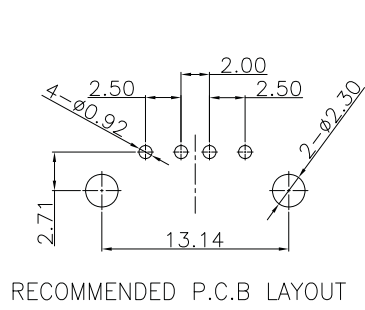
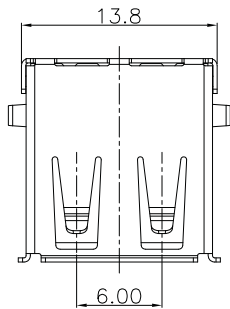


仅供参考



- MATERIAL SPECIFICATION:
1. HOUSING:PBT/LCP(UL94V-0) COLOR:BLACK/WHITE
  2. CONTACT:PHOSPHOR BRONZE
  3. SHELL:BRASS/SPCC/PHOSPHOR BRONZE
- ELECTRICAL PERFORMANCE
1. RATED VOLTAGE(MAX.):30V AC/DC
  2. RATED CURRENT(MAX.):1.5A AC/DC
  3. DIELECTRIC STRENGTH:500V AC FOR 1 MINUTE BETWEEN ADJACENT TERMINAL, NO BREAKDOWN
  4. INSULATION RESISTANCE:1000 MEGOHMS MIN. 500V DC FOR 1 MINUTE BETWEEN ADJACENT TERMINAL
  5. CONTACT RESISTANCE:30 MILLIOHM MAX.
  6. OPERATING TEMPERATURE:-55° to +85°

(1)

Code	Housing Color
_B	Black
_W	White

(2)

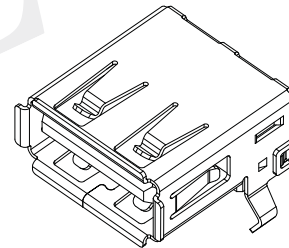
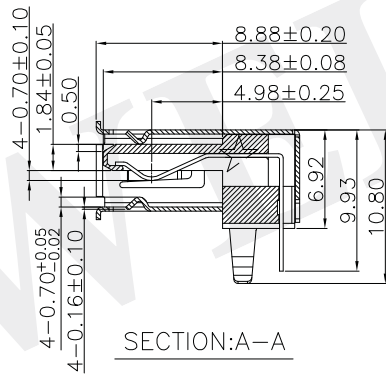
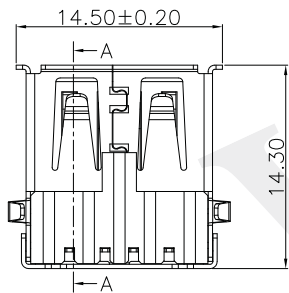
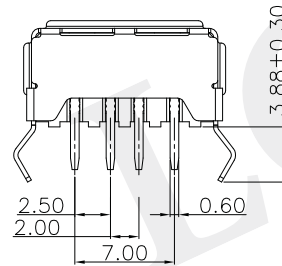
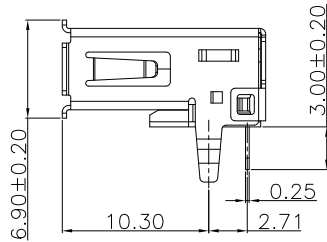
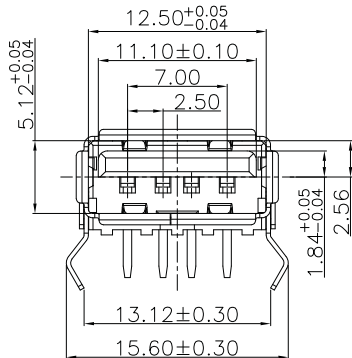
Code	Housing Material
_0	PBT
_3	LCP

(3)

Code	Contact Plating
_0	Gold Flash
_1	3u" Gold
_4	15u" Gold
_5	30u" Gold

(4)

Code	Shell Material
_2	Brass
_9	Spcc
_Z	Phosphor Bronze



★ 端子2,3Pin不短路



3	TERMINAL	PHOSPHOR BRONZE	4	SEE TABLE(3)
2	SHELL	BRASS/SPCC /PHOSPHOR BRONZE	1	Ni Plated
1	HOUSING	LCP/PBT	1	BLACK/WHITE
NO.	PART NAME	MATERIAL	QTY	FINISH

TITLE: USB Conn.Female A Type 90°

MODEL NO. UJA01D

WELL LONG ELECTRONIC COMPONENTS LTD.

Tel: (852)23489203 / Fax: (852)220558055

E-mail: [sales@wellong.com.hk](mailto:sales@wellong.com.hk)

ITEM	REVISION	REV BY	DATE	REV:	2.0
				APPROVED:	WK POON
				CHECKED:	S. HUANG
				DRAWN:	Kapok
				UNIT: MM	
				SCALE: N/A	

GENERAL TOLERANCE  
 X: ±0.30 .X° ±2°  
 .XX: ±0.20 .XX° ±1°  
 .XXX: ±0.10 .XXX° ±0.5°

