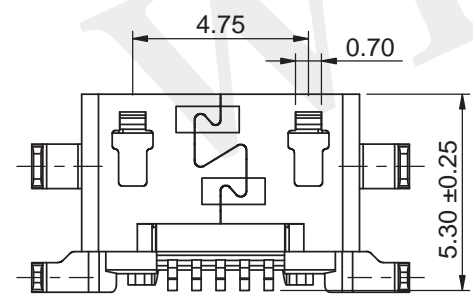
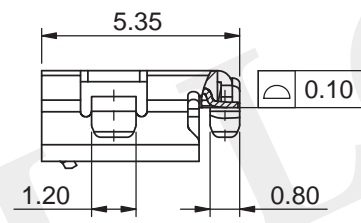
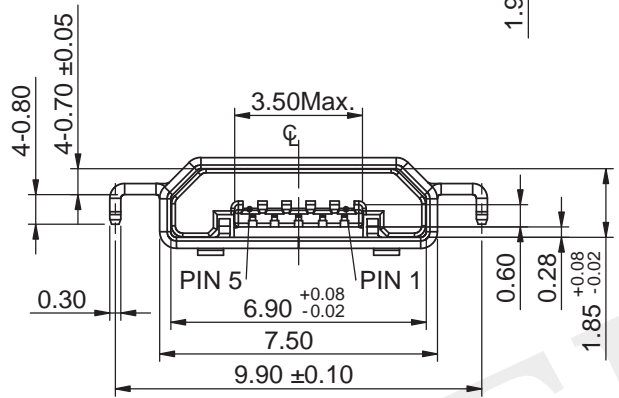


RECOMMENDED PCB LAYOUT(TOP VIEW) T=0.80mm  
(GENERAL TOLERANCE ±0.05)



PRODUCT SPEC.  
NOTES:

- 1).SPECIFICATIONS:  
 1.1.VOLTAGE RATING:100V AC  
 1.2.CURRENT RATING:1.0A  
 1.3.INSULATION RESISTANCE:100 MEG.OHM MIN.  
 1.4.CONTACT RESISTANCE:50 MILL.OHM MAX.  
 1.5.OPERATION TEMPERATURE:-30° TO +80°  
 1.6.INSERT FORCE:35 N MAX.  
 1.7.EXTRACT FORCE:8 N MIN.  
 1.8.DURABILITY:10000 CYCLES
- 2).PLATING:  
 TERMINAL:  
 CONTACT AREA:GOLD FLASH,  
 SOLDER TAIL AREA:GOLD FLASH  
 UNDER PLATING:NICKEL 30u" Min.  
 SHELL:  
 MATTE TIN 80u" Min.  
 UNDER PLATING:NICKEL 30u" Min.



3	SHELL	STAINLESS STEEL	1	MATT TIN PLATED
2	TERMINAL	COPPER ALLOY	5	Au PLATED
1	HOUSING	HIGH TEMP	1	BLACK
NO.	PART NAME	MATERIAL	QTY	FINISH

TITLE: **MICRO USB**  
 MODEL NO. **UCB25SB5720-05R**  
**WELL LONG ELECTRONIC COMPONENTS LTD.**  
 Tel: (852)2348 9203 / (769)8398 3456  
 E-mail: [sales@welllong.com.hk](mailto:sales@welllong.com.hk)

			APPROVED:	S. HUANG	UNIT: MM
			CHECKED:	S. HUANG	SCALE: 5:1
			DRAWN:	Angla	
ITEM	REVISION	REV BY	DATE:	2012/10/31	

- GENERAL TOLERANCE  
 X. ±0.35  
 .X ±0.25  
 .XX ±0.20  
 Angle ±2°