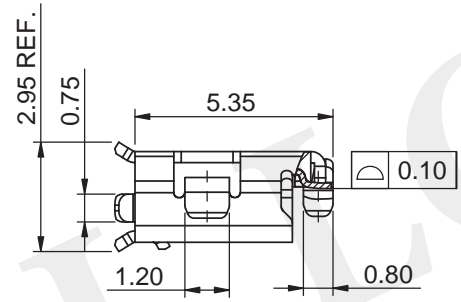
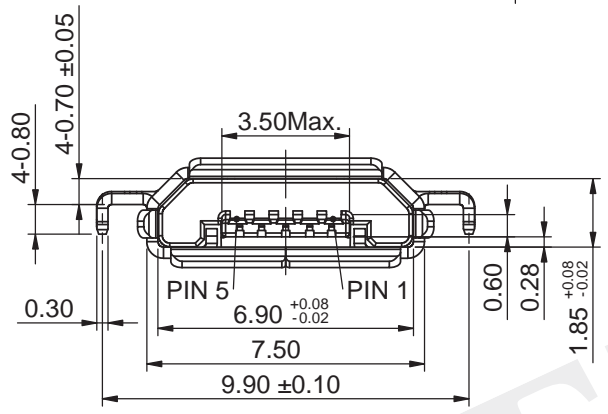
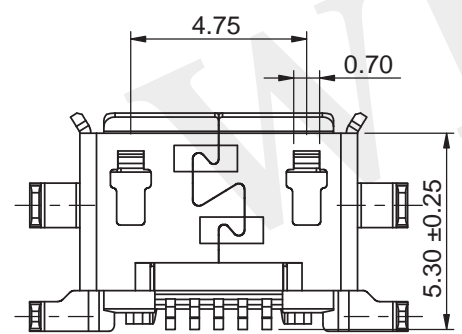


RECOMMENDED PCB LAYOUT(TOP VIEW) T=0.80mm  
(GENERAL TOLERANCE ±0.05)



NOTES:

- 1). SPECIFICATIONS:
  - 1.1.VOLTAGE RATING:100V AC
  - 1.2.CURRENT RATING:1.0A
  - 1.3.INSULATION RESISTANCE:100 MEG.OHM MIN.
  - 1.4.CONTACT RESISTANCE:50 MILL.OHM MAX.
  - 1.5.OPERATION TEMPERATURE:-30 ° TO +80 °
  - 1.6.INSERT FORCE:35 N MAX.
  - 1.7.EXTRACT FORCE:8 N MIN.
  - 1.8.DURABILITY:10000 CYCLES
- 2). PLATING:
  - TERMINAL:
    - CONTACT AREA: 5u" Au
    - SOLDER TAIL AREA:GOLD FLASH
    - UNDER PLATING:NICKEL 30u" Min.
  - SHELL:
    - MATTE TIN 80u" Min.
    - UNDER PLATING:NICKEL 30u" Min.



NO.	PART NAME	MATERIAL	QTY	FINISH
3	SHELL	STAINLESS STEEL	1	MATT TIN PLATED
2	TERMINAL	COPPER ALLOY	5	Au PLATED
1	HOUSING	HIGH TEMP	1	BLACK


TITLE: MICRO USB

MODEL NO. UCB24SB5D20-05R

WELL LONG ELECTRONIC COMPONENTS LTD.

Tel: (852)2348 9203 / (769)8398 3456

E-mail: [sales@welllong.com.hk](mailto:sales@welllong.com.hk)

ITEM	REVISION	REV BY	DATE	APPROVED:	S. HUANG	UNIT: MM
				CHECKED:	S. HUANG	SCALE: 5:1
				DRAWN:	Angla	 GENERAL TOLERANCE X. ±0.35 .X ±0.25 .XX ±0.20 Angle ±2°
				DATE:	2012/10/31	