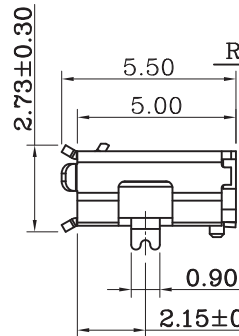
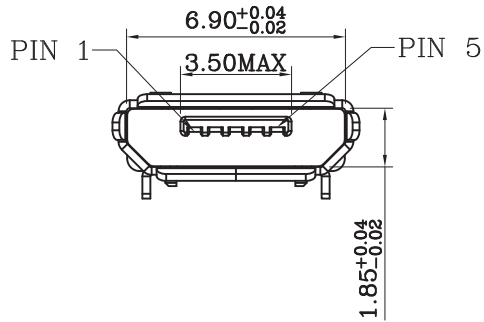
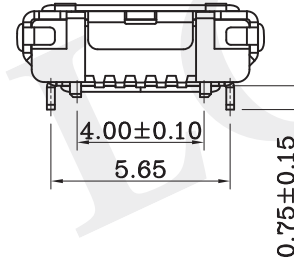


ELECTRICAL

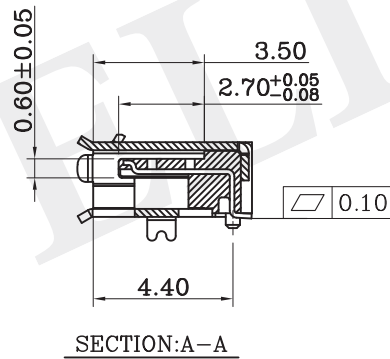
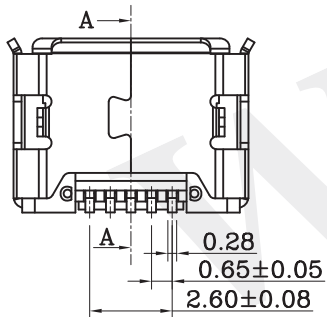
- 1 Current rating: signal(pins 2,3,4): 1.0A; power(pins 1,5): 1.8A
- 2 Contact resistance: 30 milliohms max
- 3 Insulation resistance: 1000 Megohms min
- 4 Withstanding voltage: 100V AC/minute
- 5 Temperature range: -30°C to +85°C



RECOMMENDED PCB LAYOUT



Code	Terminal Plating
_0	Gold Flash
_1	3u" Gold
_2	5u" Gold
_3	10u" Gold
_4	15u" Gold
_5	30u" Gold



仅供参考



3	SHELL	STAINLESS STEEL	1	Tin Plated
2	CONTACT	COPPER ALLOY	5	See Table(1)
1	HOUSING	LCP	1	Black
NO.	PART NAME	MATERIAL	QTY	FINISH

TITLE: MICRO USB 5PIN B TYPE

MODEL NO. UCB16S

WELL LONG ELECTRONIC COMPONENTS LTD.

Tel: (852)23489203 / Fax: (852)22058055

E-mail: sales@wellong.com.hk

APPROVED:	S. HUANG	UNIT: MM	GENERAL TOLERANCE	
CHECKED:	S. HUANG	SCALE: 1:1	.X: ±0.30	.X° ±2°
DRAWN:	Angla		.XX: ±0.20	.XX° ±1°
DATE:	2014/09/10		.XXX: ±0.10	.XXX° ±0.5°
ITEM	REVISION	REV BY	DATE	DATE: