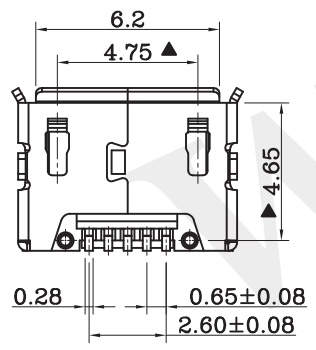
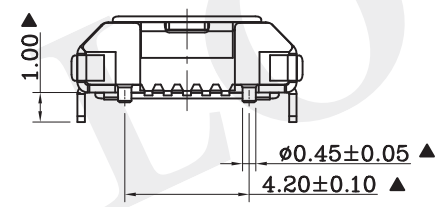
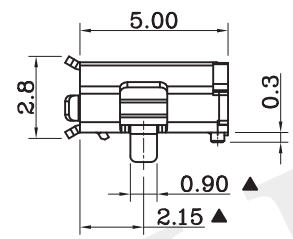
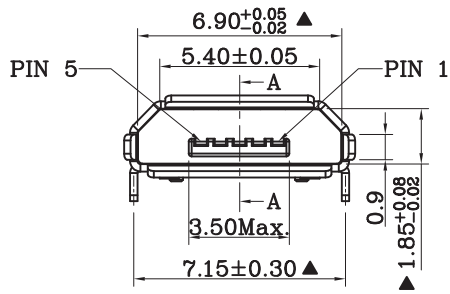
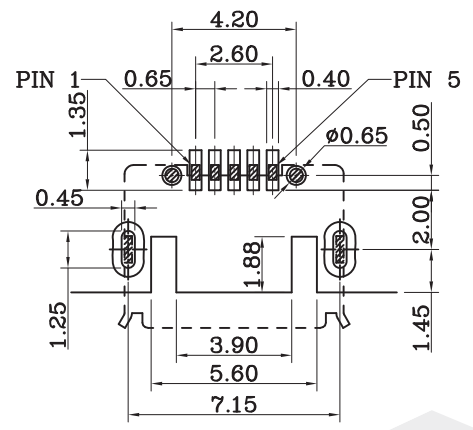
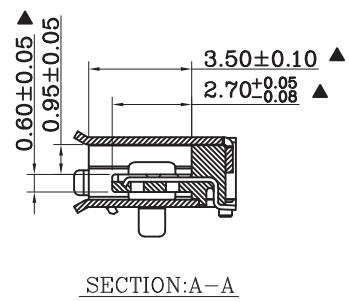
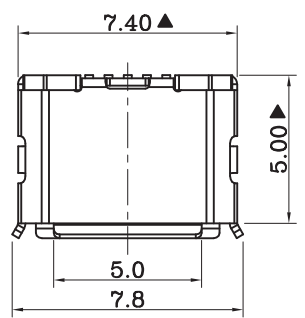


仅供参考



MATERIAL SPECIFICATION:

1. HOUSING: HEIGHT TEMP. PLASTIC (UL94V-0)
2. CONTACT: COPPER ALLOY
3. SHELL: STAINLESS STEEL

ELECTRICAL PERFORMANCE

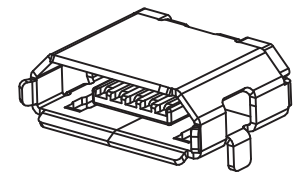
1. CURRENT RATING: SIGNAL (PINS 2,3,4): 1.0A; POWER (PINS 1,5): 1.8A
2. RATED VOLTAGE (MAX.): 100 VOLTS AC (RMS)
3. DIELECTRIC STRENGTH: 500V AC FOR 1 MINUTE BETWEEN ADJACENT TERMINAL, NO BREAKDOWN
4. INSULATION RESISTANCE: 1000 MEGOHMS MIN. 500V DC FOR 1 MINUTE BETWEEN ADJACENT TERMINAL
5. CONTACT RESISTANCE: 30 MILLIOHM MAX.
6. OPERATING TEMPERATURE: -30° to +85°

(1)

Code	Terminal Plating
_ =0	Gold Flash
_ =1	3u" Gold
_ =2	5u" Gold
_ =3	10u" Gold
_ =4	15u" Gold
_ =5	30u" Gold

(2)

Code	Shell Plating
_ =2	Tin Plating
_ =4	Ni Plating



NO.	PART NAME	MATERIAL	QTY	FINISH
3	SHELL	STAINLESS STEEL	1	Tin / Ni Plated
2	CONTACT	COPPER ALLOY	5	See Table(1)
1	HOUSING	LCP	1	

TITLE: MICRO USB 2.0 Conn. Female B Reverse Type
 MODEL NO. UCB10S

WELL LONG ELECTRONIC COMPONENTS LTD.

Tel: (852)23489203 / (769)8398 3456

E-mail: sales@wellong.com.hk

ITEM	REVISION	REV BY	DATE	REV:	APPROVED:	WK POON	UNIT: MM
					CHECKED:	S. HUANG	SCALE: 1/1
					DRAWN:	Kapok	
					REV:	1.0	

GENERAL TOLERANCE	
.X:	±0.30 .X° ±2°
.XX:	±0.20 .XX° ±1°
.XXX:	±0.10 .XXX° ±0.5°