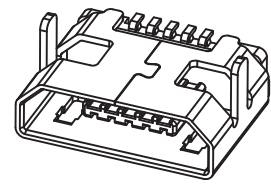
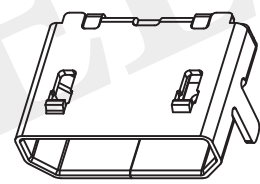
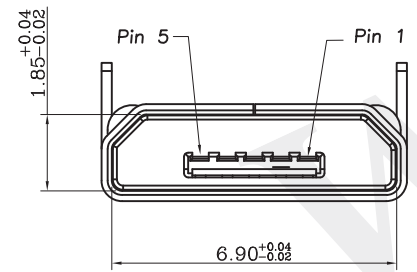
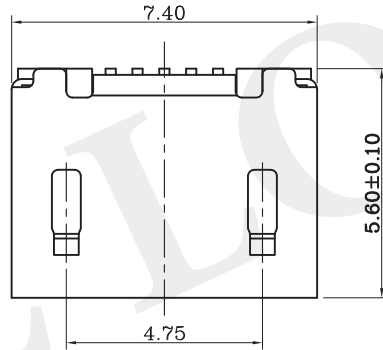
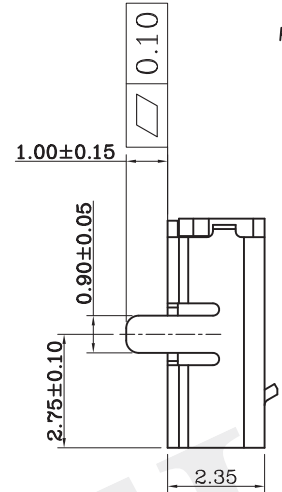
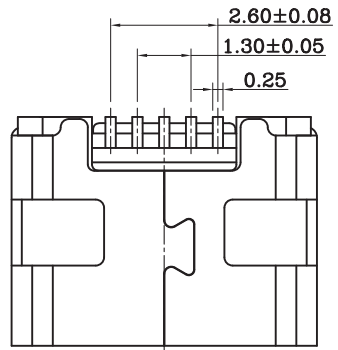
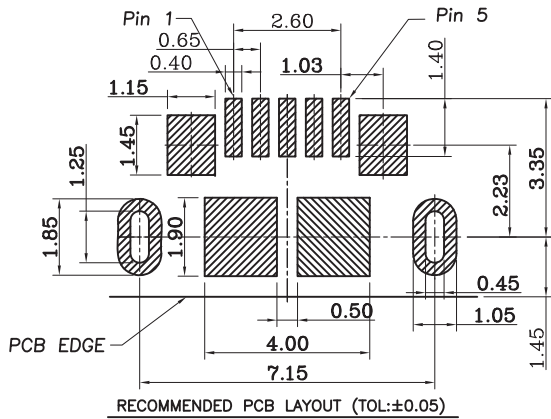
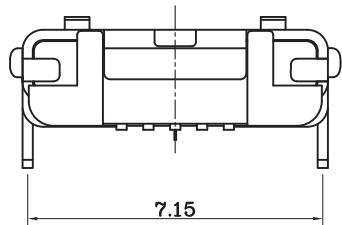


仅供参考



Code	Contact Plating
_=0	Gold Flash
_=1	3u" Gold
_=2	5u" Gold
_=3	10u" Gold
_=4	15u" Gold
_=5	30u" Gold

Material  
 Housing:High Temp Plastic,UL94V-0  
 Terminal:Copper alloy  
 Shell:Stainless steel  
 ELECTRICAL  
 1 Current rating:  
     Signal(pins 2,3,4): 1.0A;  
     power(pins 1,5): 1.8A  
 2 Contact resistance:30 milliohms max  
 3 Insulation resistance:1000 Megohms min  
 4 Withstanding voltage:100V AC/minute  
 5 Temperature range:-30°C to +85°C

3	TERMINAL	COPPER ALLOY	5	See Table
2	SHELL	STAINLESS STEEL	1	Tin Plated
1	HOUSING	LCP(UL94V-0)	1	Black
NO.	PART NAME	MATERIAL	QTY	FINISH



				APPROVED:	WK POON	UNIT: MM
				CHECKED:	S. HUANG	SCALE: 1/1
				DRAWN:	Kapok	
ITEM	REVISION	REV BY	DATE	REV:	1.0	

GENERAL TOLERANCE  
 .X: ±0.30 .X° ±2°  
 .XX: ±0.20 .XX° ±1°  
 .XXX: ±0.10 .XXX° ±0.5°

TITLE: MICRO USB 5PIN B TYPE  
 MODEL NO. UCB05S  
**WELL LONG ELECTRONIC COMPONENTS LTD.**  
 Tel: (852)23489203 / Fax: (852)22058055  
 E-mail: [sales@welllong.com.hk](mailto:sales@welllong.com.hk)