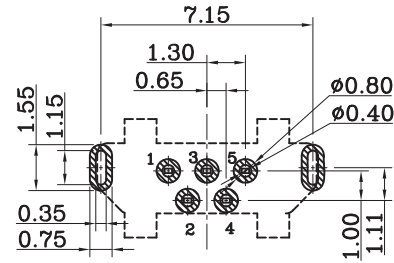


SECTION: A-A



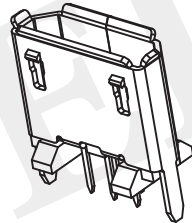
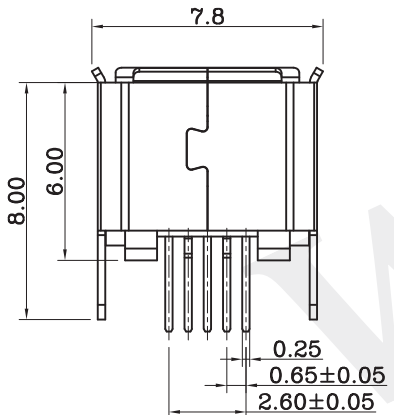
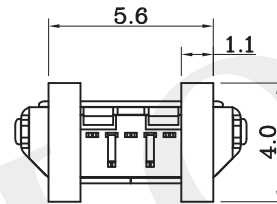
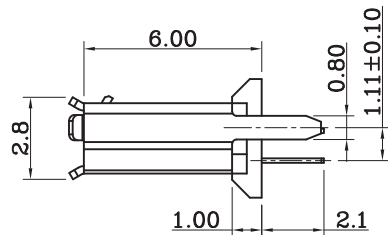
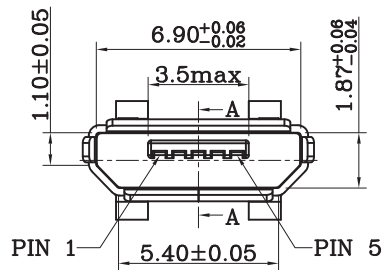
RECOMMENDED P.C.B LAYOUT

MATERIAL SPECIFICATION:

1. HOUSING: HEIGHT TEMP. PLASTIC (UL94V-0)
2. CONTACT: COPPER ALLOY
3. SHELL: STAINLESS STEEL

ELECTRICAL PERFORMANCE

1. CURRENT RATING: SIGNAL (PINS 2,3,4): 1.0A; POWER (PINS 1,5): 1.8A
2. RATED VOLTAGE (MAX.): 30 VOLTS AC (RMS)
3. DIELECTRIC STRENGTH: 100V AC FOR 1 MINUTE BETWEEN ADJACENT TERMINAL, NO BREAKDOWN
4. INSULATION RESISTANCE: 1000 MEGOHMS MIN. 500V DC FOR 1 MINUTE BETWEEN ADJACENT TERMINAL
5. CONTACT RESISTANCE: 30 MILLIOHM MAX.
6. OPERATING TEMPERATURE: -30° to +85°



仅供参考

Code	Contact Plating
=0	Gold Flash
=1	3u" Gold
=2	5u" Gold
=3	10u" Gold
=4	15u" Gold
=5	30u" Gold

NO.	PART NAME	MATERIAL	QTY	FINISH
3	SHELL	STAINLESS STEEL	1	Tin
2	CONTACT	COPPER ALLOY	6	See The Table
1	HOUSING	PA9T	1	Black

TITLE: Micro USB 2.0 Conn. Female B Type 立式

MODEL NO. UCB04DB

WELL LONG ELECTRONIC COMPONENTS LTD.

Tel: (852)23489203 / Fax: (852)23489335

E-mail: sales@welllong.com.hk



ITEM	REVISION	REV BY	DATE	REV:	2.0
				APPROVED:	WK POON
				CHECKED:	S. HUANG
				DRAWN:	Kapok
				UNIT: MM	
				SCALE: 1:1	

GENERAL TOLERANCE
 X: ±0.30 .X° ±2°
 XX: ±0.20 .XX° ±1°
 XXX: ±0.10 .XXX° ±0.5°

