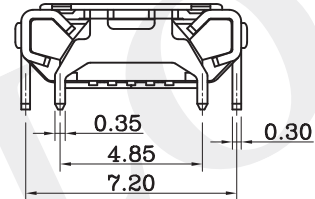
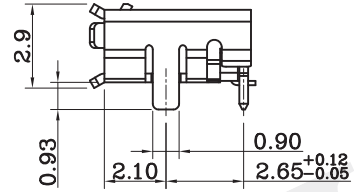
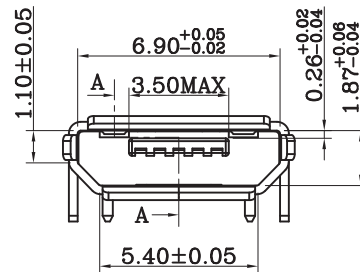
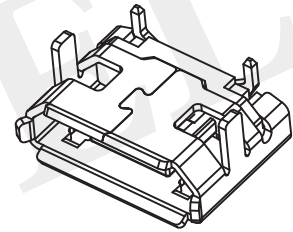
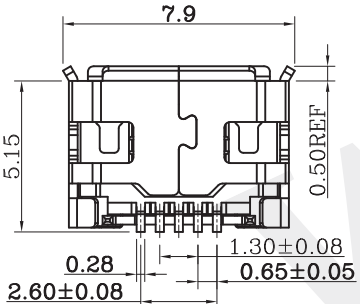


Code	Contact Plating
_ =0	Gold Flash
_ =1	3u" Gold
_ =2	5u" Gold
_ =3	10u" Gold
_ =4	15u" Gold
_ =5	30u" Gold



MATERIAL SPECIFICATION:
 1. HOUSING:HEIGHT TEMP. PLASTIC(UL94V-0)
 2. CONTACT:COPPER ALLOY
 3. SHELL:STAINLESS STEEL

ELECTRICAL PERFORMANCE
 1. CURRENT RATING:SIGNAL(PINS 2,3,4): 1.0A;
 POWER(PINS 1,5): 1.8A
 2. RATED VOLTAGE(MAX.):250 VOLTS AC (RMS)
 3. DIELECTRIC STRENGTH:500V AC FOR 1 MINUTE
 BETWEEN ADJACENT TERMINAL, NO BREAKDOWN
 4. INSULATION RESISTANCE:1000 MEGOHMS MIN. 500V
 DC FOR 1 MINUTE BETWEEN ADJACENT TERMINAL
 5. CONTACT RESISTANCE:30 MILLIOHM MAX.
 6. OPERATING TEMPERATURE:-25° to +85°



仅供参考



3	TERMINAL	COPPER ALLOY	5	See Table
2	SHELL	STAINLESS STEEL	1	Tin Plated
1	HOUSING	LCP(UL94V-0)	1	Black
NO.	PART NAME	MATERIAL	QTY	FINISH

TITLE: MICRO USB 2.0 Conn. Female B TYPE
 MODEL NO. UCB02S

WELL LONG ELECTRONIC COMPONENTS LTD.

Tel: (852)23489203 / Fax: (852)22058055

E-mail: sales@welllong.com.hk

ITEM	REVISION	REV BY	DATE	REV:	1.0
				APPROVED:	WK POON
				CHECKED:	S. HUANG
				DRAWN:	Kapok



UNIT: MM
 SCALE: 1/1
 GENERAL TOLERANCE
 X: ±0.30 .X° ±2°
 XX: ±0.20 .XX° ±1°
 XXX: ±0.10 .XXX° ±0.5°